



PROVEN PERFORMER

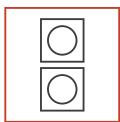
Vended Laundry

STENXA (stack washer/dryer - electric heat)

STGNXA (stack washer/dryer - gas heat)

Stack washer/dryer features

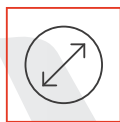
- Improved suspension with new out-of-balance logic manages and redistributes unbalanced loads for uninterrupted wash cycles
- High spin speed up to 1,200 rpm removes more water from clothes, speeding up drying cycles and lowering dryer energy usage.
- Water use as low as 44.3 litres per cycle to reduce operating costs
- Extended Tumble helps eliminate wrinkling by tumbling for two minutes at 20 minute intervals if the dryer door isn't opened decreasing fire risk
- Quiet, efficient blower system uses a superior airflow of 5100 litres per minute for fast efficient drying
- Just like their stand-alone counterparts, Speed Queen stacks are 100 percent front serviceable to limit downtime for easy service access
- Single slot electronic multi denomination coin drops for versatility and accuracy
- Digital display with countdown
- Reversible dryer door



STACK UNIT



STAINLESS STEEL WASHER DRUM



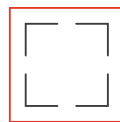
LARGE DOOR OPENING



LOW WATER CONSUMPTION



LOW ENERGY CONSUMPTION



COMPACT DESIGN



NETWORK CAPABLE

Optional

- Credit Card Activation



Supporting Smart Card, Tap & Go, Mag Stripe

Controls

Quantum™ Gold

In addition to its network capabilities with remote off-site management features, Quantum™ Gold offers additional owner and customer benefits such as PC programming and machine audit capabilities, as well as time-of-day pricing, a "lucky cycle" for loyal customers and the ability to interface with the store owner's card manufacturer of choice. Cycle modifier keys create additional profit opportunities for store owners.



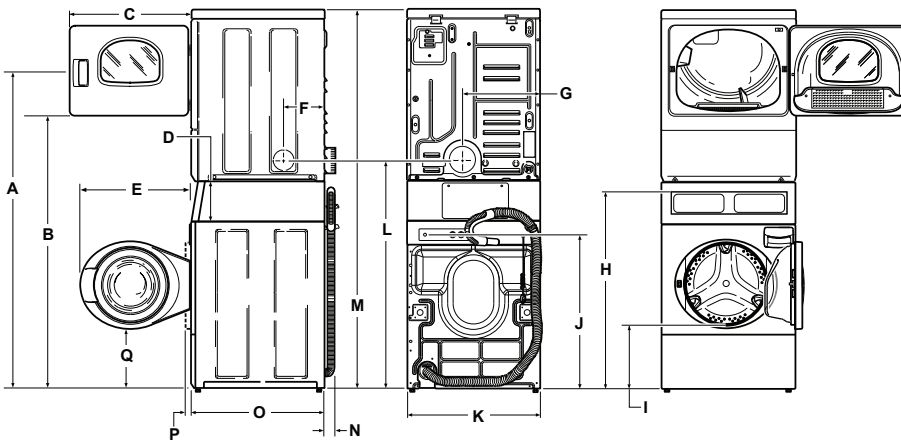
	STENXA (Electric heat)		STGNXA (Gas heat)	
Type	Stack Washer	Stack Dryer	Stack Washer	Stack Dryer
Control	Quantum Electronic	Quantum Electronic	Quantum Electronic	Quantum Electronic
Control location	Front	Front	Front	Front
Drum				
Capacity kg	10 kg	10 kg	10 kg	10 kg
Cylinder volume litres	96.8 Lt	198 Lt	96.8 Lt	198 Lt
Drum speed				
Spin speed G-Force	440	n/a	440	n/a
Spin speed rpm	1200	n/a	1200	n/a
Motor				
Motor size kW	Variable speed induction 0.67	0.25	Variable speed induction 0.67	0.25
Cabinet				
Cylinder finish	Stainless steel	Stainless steel	Stainless steel	Stainless steel
Colours	White	White	White	White
Door type (solid/window)	Window	Window	Window	Window
Heating				
Heat sources	n/a	Electric	n/a	Natural Gas, LPG optional
Heating element (Electric W)		4000W		n/a
Connection				
Gas inlet connection mm	n/a	n/a	n/a	9.5
Gas consumption MJ/Hr	n/a	n/a	n/a	27 MJ
Exhaust outlet dia. mm	n/a	102	n/a	102
Exhaust airflow litres/sec	n/a	85	n/a	85
Water temperatures	3	n/a	3	n/a
Operation				
Cycles	Up to 30 programmable	High, Medium, Low, Delicates, No Heat	Up to 30 programmable	High, Medium, Low, Delicates, No Heat
Water consumption per cycle litres	44.3	n/a	44.3	n/a
Water pressure kPa	140/830 kPa	n/a	140/830 kPa	n/a
Cycle indicator lights	Digital display	Digital display	Digital display	Digital display
Power				
Electrical requirements (voltage/Hz/Ph)	240/50/1, 6 amp	240/50/1, 20 amp	240/50/1, 6 amp	240/50/1, 4 amp
Transport data				
Net weight kg	177 (combined)		177 (combined)	
Shipping weight kg	193 (combined)		193 (combined)	
Dimensions H×W×D mm	1986×683×704		1986×683×704	
Packing dimensions H×W×D mm	2032×737×832		2032×737×832	
Agency approvals				
Available agency approvals	SAA Electrical		SAA Electrical, AGA #4945 Gas Dryer	



Dimensions

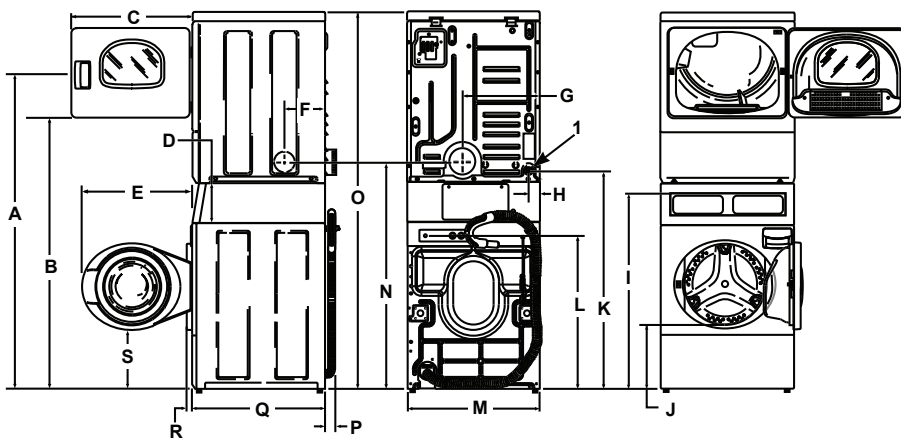
Stack Washer/Dryer – electric

	A	B	C	D	E	F	G	H	I	J	K	L	M	N	O	P	Q
STENXA	1678*	1447*	597	213	610	203	391	938*	368*	813*	683	1184*	1986*	52	704	38	333*



Stack Washer/Dryer – gas

	A	B	C	D	E	F	G	H	I	J	K	L	M	N	O	P	Q	R
STGNXA	1678*	1447*	597	213	610	203	391	59	938*	368*	1140*	813*	683	1184*	1986*	52	704	38



1 = 10mm NPT Gas Connection

All measurements are in mm. *With levelling legs turned into base.

NOTE: Exhaust openings are 102 mm metal ducting.

